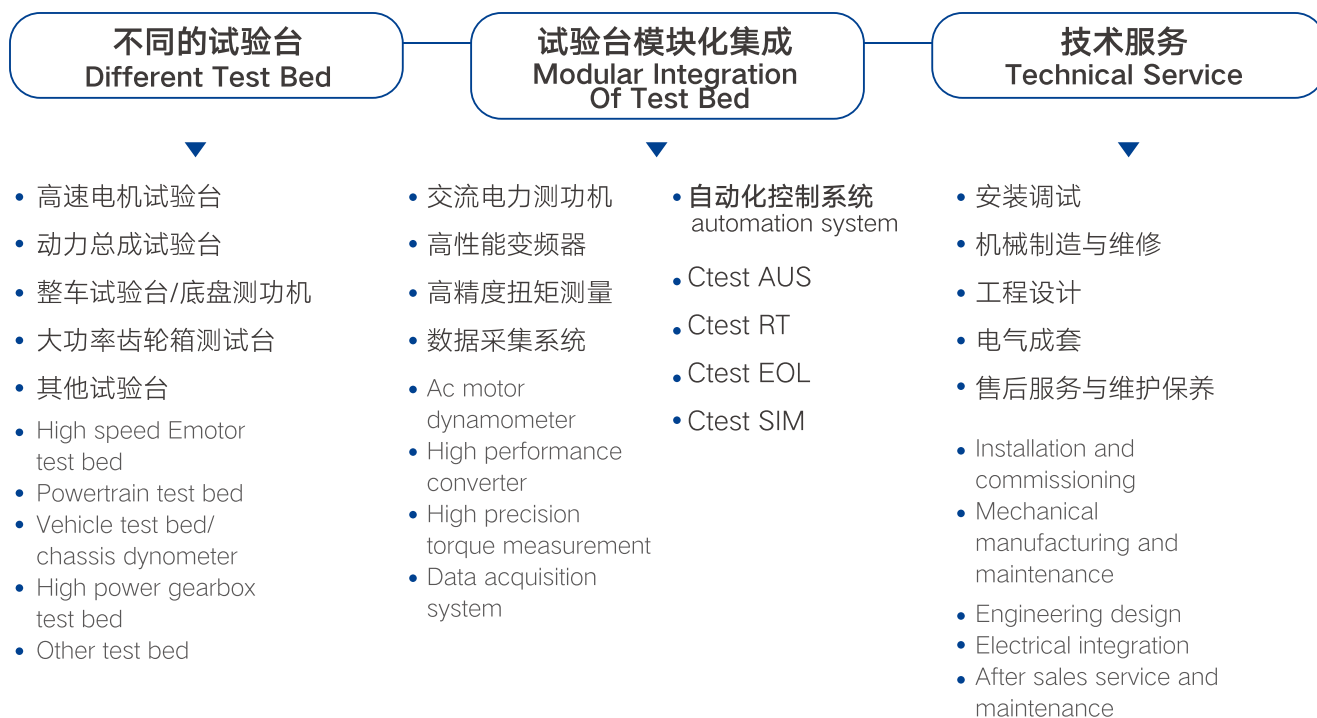


解决方案

THE SOLUTION

汽车动力系统试验台解决方案

Automotive powertrain test bed solution



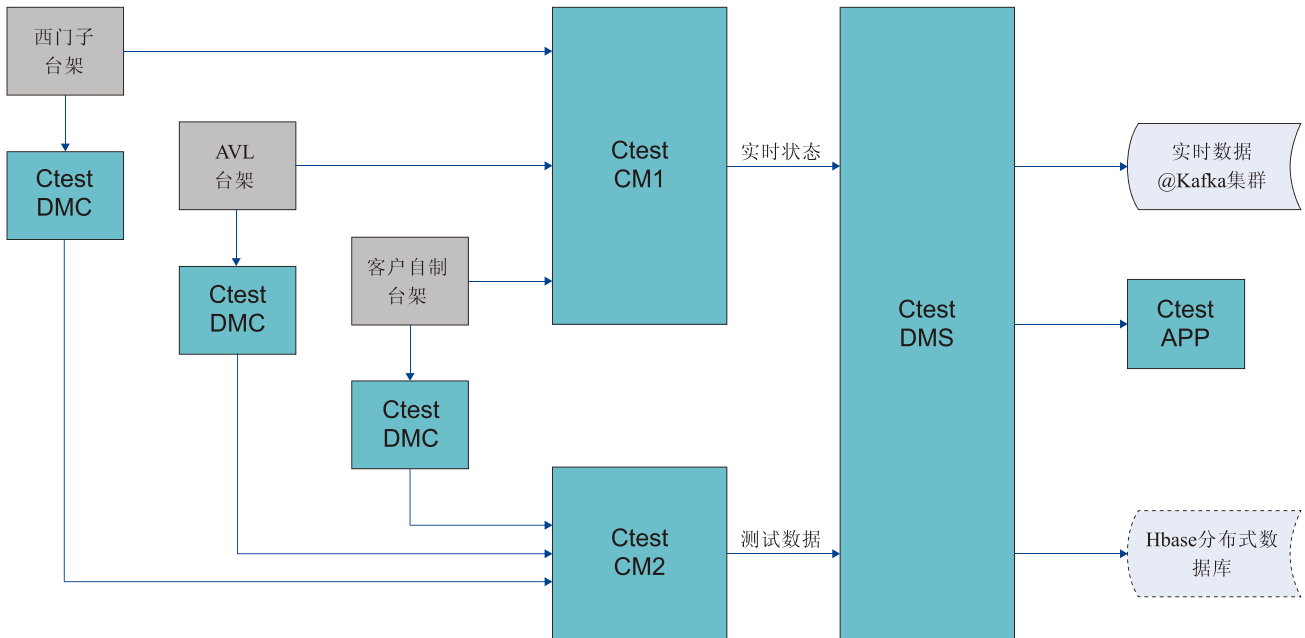
系统集成技术

System Integration Technique

| | |
|----------------------------|--|
| 工控机 IPC | SIMATIC IPC |
| PLC控制器 PLC controller | SIMATIC S7-300/400, S7-1200/1500-F, ET200 |
| 实时控制器 Real time controller | Ctest RT |
| 仿真技术 Simulation technology | Matlab Simulink, SIEMENS LMS Amesim |
| HMI | SIMATIC OP, MP, KP, TP |
| 网络通讯 Network communication | ETHERNET, PROFIBUS, PROFINET |
| 变频器 Frequency converter | SINAMICS S120 / S150, ABB |
| 测功机 Dynamometer | 1SH8, 1PH8, AKH, SCHORCH, K&A, Parker, Baldor, ABB |

实验室管理系统

Test center management system

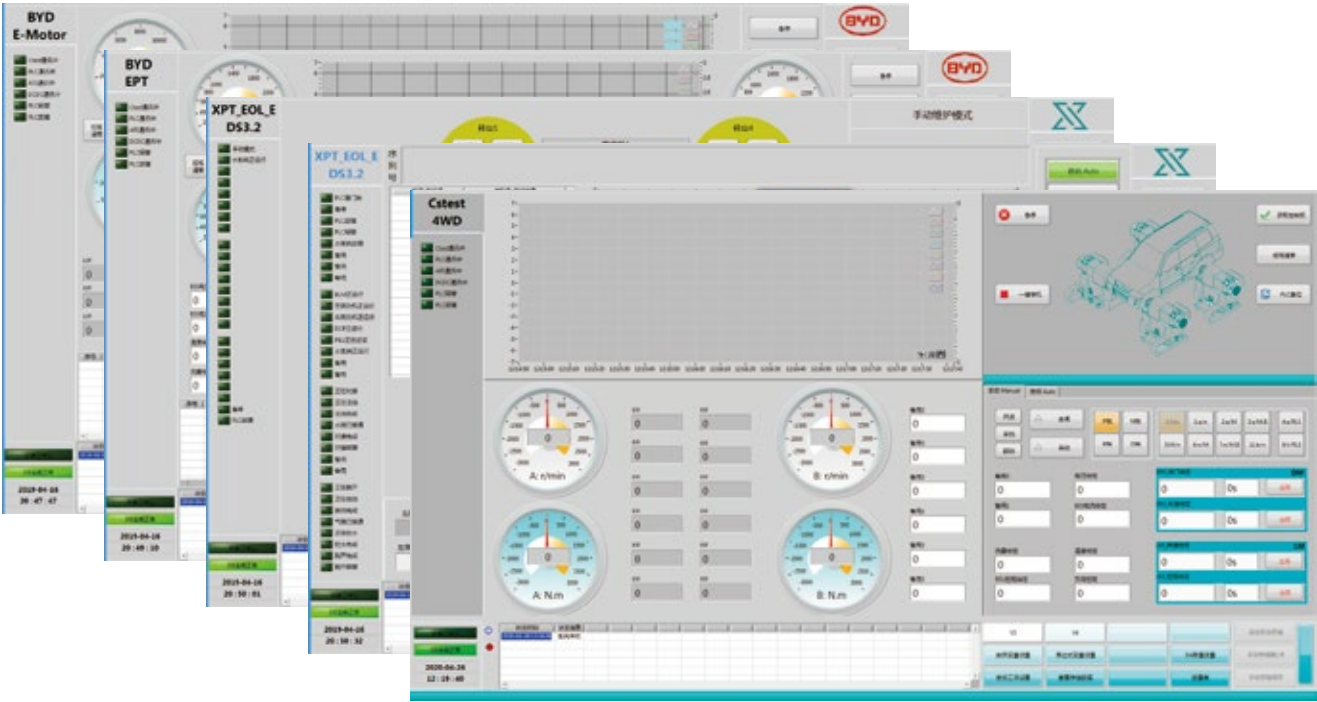


适用于试验中心多台试验设备的实时状态和试验数据的集中监控与管理，同时具有试验流程管理、试验档案管理、DVP过程管理、设备管理、样品管理、计量器具管理等功能。

It is suitable for the centralized monitoring and management of the real-time status and test data of several test equipment in the test center, with testing process management, the test results management, the DVP process management, the equipment management, the sample management, the measurement instrument management and so on.

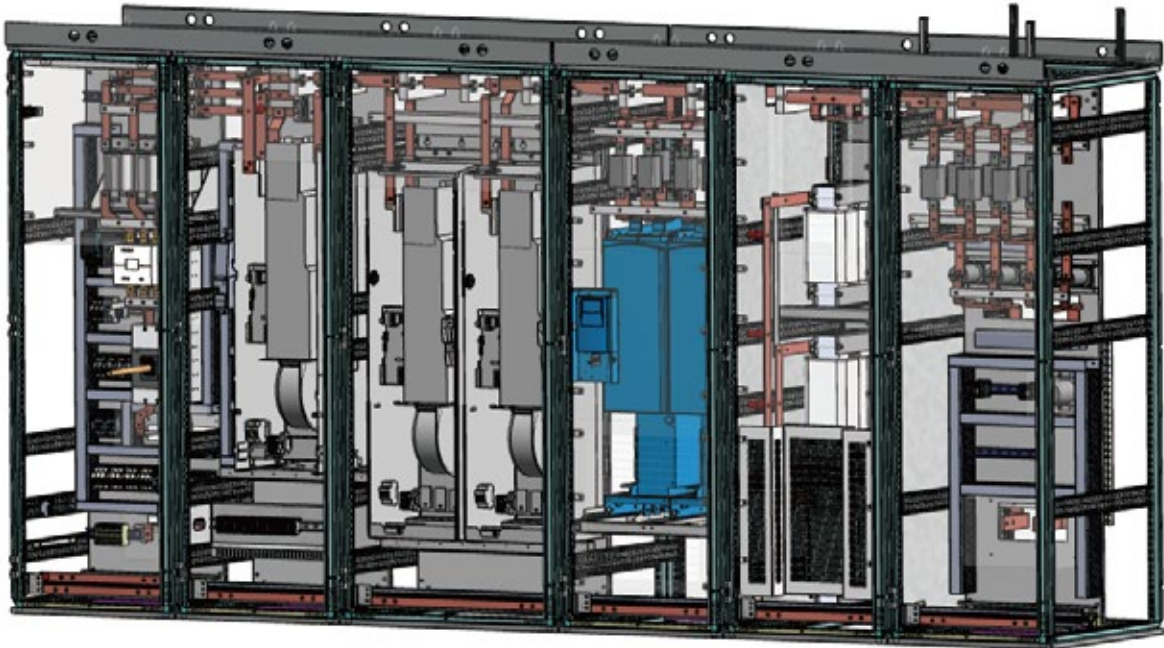
Ctest 测控软件

Ctest Measure And Control Software



电气结构设计

Electrical Structure Design



电气成套

Assembly Of Electric Equipment

采用专业的3D软件，对柜体、钣金件、铜排等进行设计，充分考虑柜体散热、振动、EMC等。

Professional 3D software is used to design the cabinet, sheet metal parts, copper bars, etc., fully considering the cabinet heat dissipation, vibration, EMC, etc.

